

OZZY-STAINLESS STEEL BODY INGROUND LIGHT

TECHNICAL SHEET
OD-ING-065



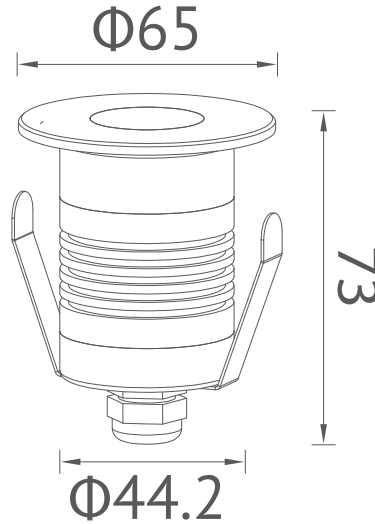
KEYLIGHT

SPAIN

PRODUCTOS DE ILUMINACION

FEATURES

- 5W , 12V/24V
- CE ROHS Certified
- Tempered Glass Diffuser
- 3-Years Warranty



SPECIFICATIONS

Product Code	OD-ING-065
Power	5W
Input	12V/24V
Luminous Flux	250 lm
Beam Angle	15°/30°
CRI	80
Power Factor	>0.5
Material	Stainless Steel SS304
IP Rating	IP 65 Class 1
Dimensions	ø65mm*73mm
Warranty	3 years